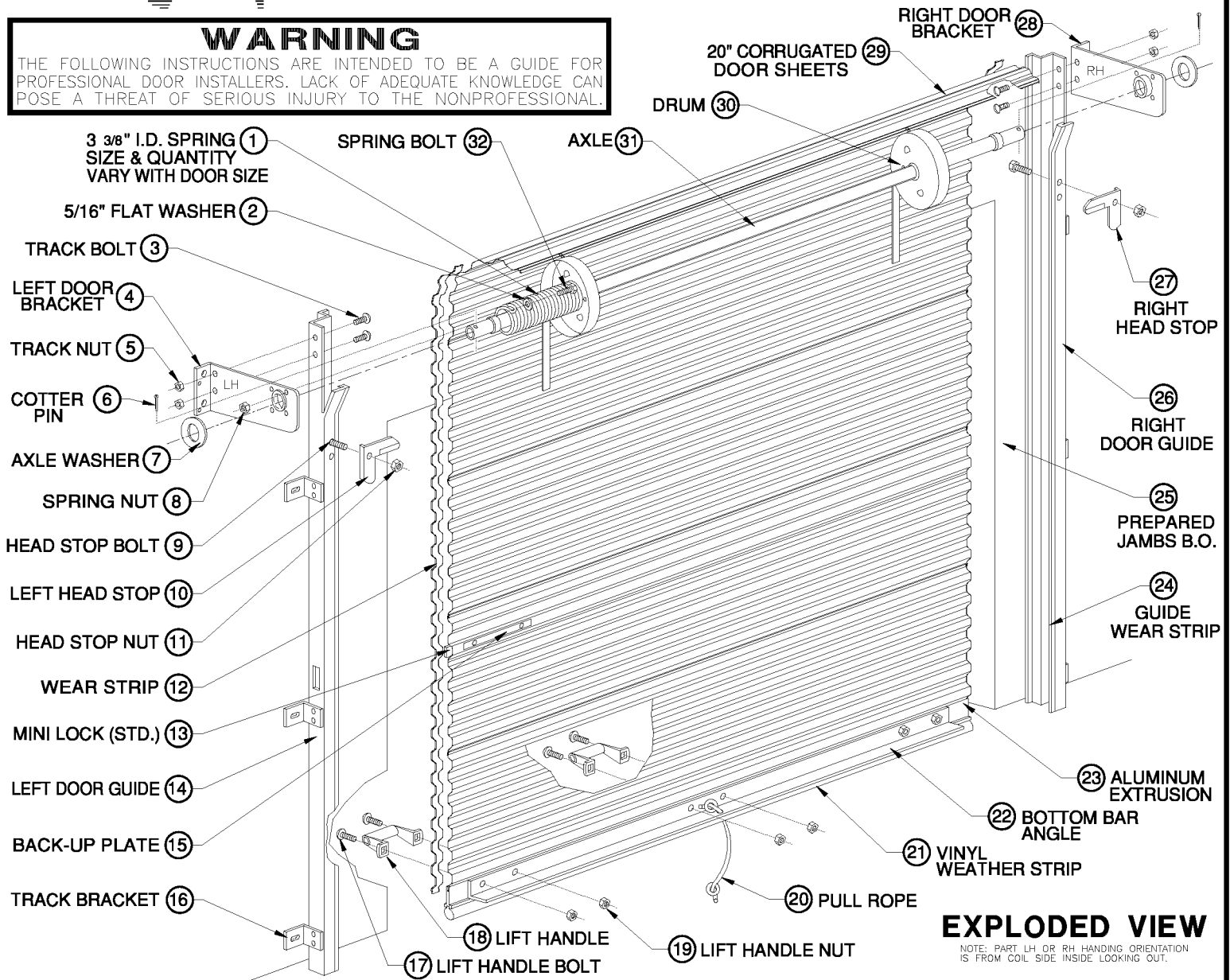


WARNING

THE FOLLOWING INSTRUCTIONS ARE INTENDED TO BE A GUIDE FOR PROFESSIONAL DOOR INSTALLERS. LACK OF ADEQUATE KNOWLEDGE CAN POSE A THREAT OF SERIOUS INJURY TO THE NONPROFESSIONAL.



IMPORTANT REMARKS

DO NOT CUT THE BANDS WHICH HOLD DOOR IN A ROLL, YOU WILL BE INSTRUCTED AT A LATER TIME EXACTLY WHEN TO CUT THEM. NO GUARANTEE WILL BE GIVEN, OR RESPONSIBILITY ACCEPTED BY MANUFACTURER IF DOOR IS NOT ERECTED AS INSTRUCTED. FOLLOW ALL OF THE INSTRUCTIONS GIVEN FOR PROPER DOOR OPERATION. PLEASE REVIEW ALL INSTRUCTIONS PRIOR TO STARTING ACTUAL WORK.

PARTS LIST: GIVE ROUGH OPENING SIZE WHEN ORDERING

ITEM	PART NUMBER	DESCRIPTION	ITEM	PART NUMBER	DESCRIPTION
1	U1200XX-X	3 3/8" I.D. SPRING, QTY. & SIZE WILL VARY	17	U210003	CARRIAGE BOLT, LIFT HANDLE, 1/4-20 x 5/8"
2	U210016	FLAT WASHER, SPRING 5/16"	18	U120026	LIFT HANDLE, 5 1/2"
3	U210017	BOLT, TRACK, 1/4-20	19	U210001	NUT, LIFT HANDLE, 1/4-20
4	U190141	BRACKET, DOOR, LH	20	U120027	PULL ROPE, 1/4" YELLOW
5	U210001	NUT, TRACK, 1/4-20	21	U240002	VINYL WEATHER STRIP, BULB ASTRAGAL
6	U210007	COTTER PIN, AXLE END 3/16" x 2"	22	U130001-XXX	BOTTOM BAR ANGLE, 1 1/2" x 1 1/2"
7	U210008	FLAT WASHER, AXLE END 1 5/16"	23	U240001-XXX	ALUMINUM EXTRUSION
8	U210002	NUT, SPRING LOOP, 5/16-18	24	U240005-XXX	WEAR STRIP, GUIDE
9	U210018	BOLT, HEAD STOP, 5/16-18 x 3/4"	25	N.A.	PREPARED JAMBS, BY OTHERS
10	U120047	HEAD STOP, LEFT	26	U190025-XXXR	GUIDE SJ, RIGHT MJ & WJ U190026-XXXR
11	U210002	NUT, HEAD STOP, 5/16-18	27	U120046	HEAD STOP, RIGHT
12	U240004-XXX	WEAR STRIP, ATTACHED TO EXT. DOOR CURTAIN	28	U190140	BRACKET, DOOR, RH
13	U190048	MINI LOCK, LATCH ASSEMBLY	29	U2301XX-20	20" CORRUGATED DOOR SHEET
14	U190025-XXXL	GUIDE SJ, LEFT MJ & WJ U190026-XXXR	30	U120019	DRUM, 9 1/2" DIA.
15	U120050	BACK-UP PLATE, 1" x 8"	31	U280001-XXX	AXLE TUBE, 1 5/16" DIA.
16	U220003	TRACK BRACKET, MASONRY & WOOD JAMB ONLY	32	U210006	HEX HEAD BOLT, SPRING 5/16-18 x 1"

STEP 1

CHECK THE HEIGHT AND WIDTH OF THE DOOR OPENING AND VERIFY THE MEASUREMENTS AGAINST THE SIZE SHOWN ON THE DOOR PACKING SLIP AND THE LABEL AFFIXED TO THE DOOR (SEE FIGURE 1).

IMPORTANT

DO NOT CUT BANDS WHICH HOLD DOOR IN A ROLL. YOU WILL BE TOLD AT A LATER TIME EXACTLY WHEN TO CUT THEM.

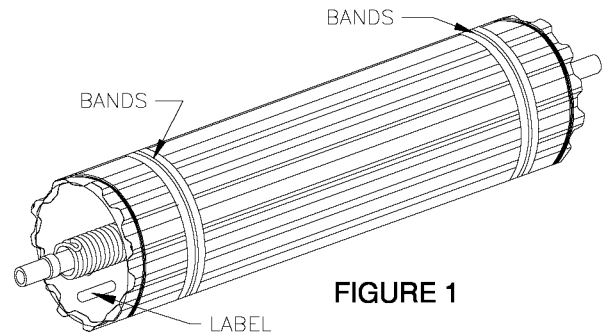


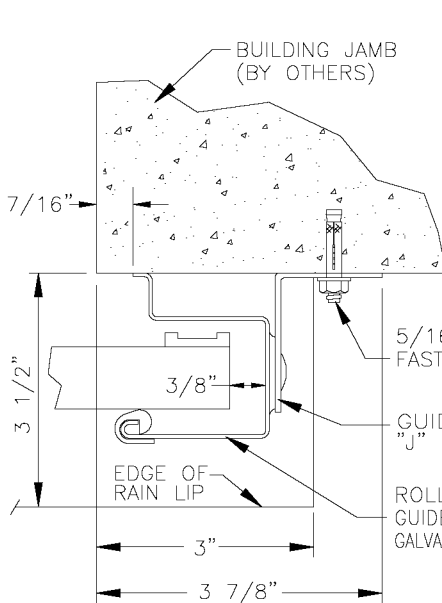
FIGURE 1

STEP 2

- (A) CHECK DOOR JAMBS FOR PLUMB.
- (B) CHECK HEADER AND FLOOR TO BE SURE THEY ARE BOTH LEVEL.
- (C) CHECK FOR PROPER DOOR GUIDE LENGTHS (SEE CHART 2D).
- (D) CHECK FOR CORRECT RAIN LIP DIMENSIONS (SEE FIGURE 2A & 2C).
- (E) CHECK TO BE SURE THAT THERE IS SUFFICIENT CLEARANCE AT THE JAMB AND AT THE HEAD (SEE FIGURES 2A ,2B & 2C).

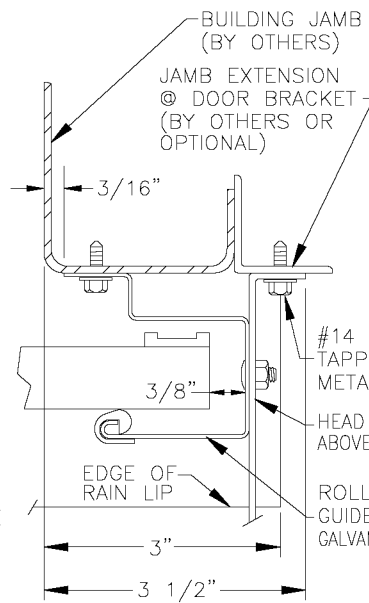
DOOR GUIDE RAIL LENGTHS	
DOOR HEIGHTS	HEIGHT ADD ON DIMENSION
7'-0" HIGH ONLY	6 1/4"
UP TO 8'-4" HIGH	7 1/2"
UP TO 10'-0" HIGH	9"

CHART 2D



DETAIL AT JAMB
WOOD AND MASONRY

FIGURE 2A



DETAIL AT JAMB
STEEL BUILDING

FIGURE 2B

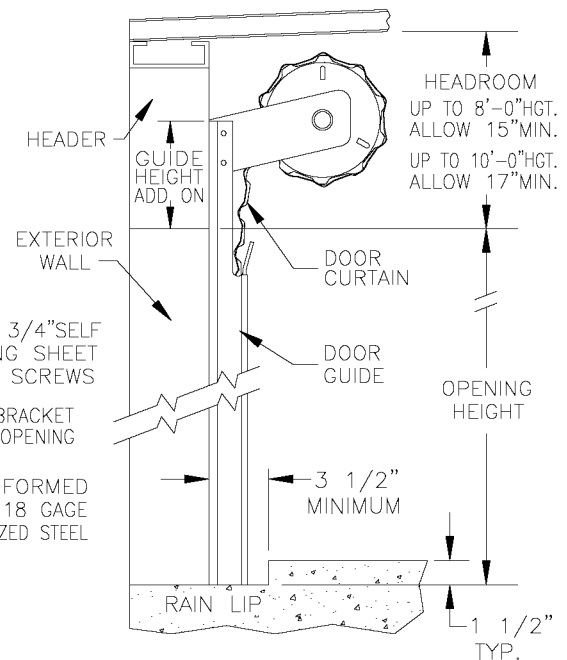


FIGURE 2C

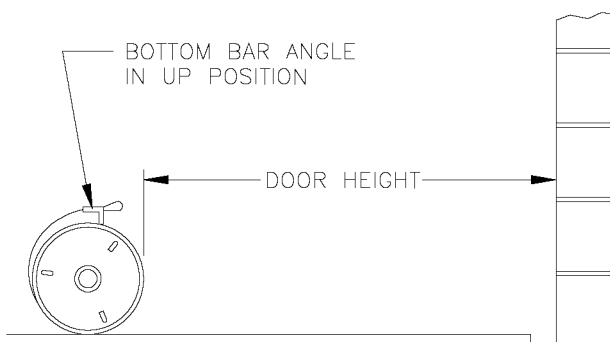


FIGURE 3

STEP 3

LAY DOOR ON FLOOR WITH THE BOTTOM BAR AT THE UP POSITION (12 O'CLOCK). MAKE SURE THE FLOOR IS CLEAR OF ANY OBJECTS THAT MIGHT DAMAGE THE DOOR. (SEE FIGURE 3)

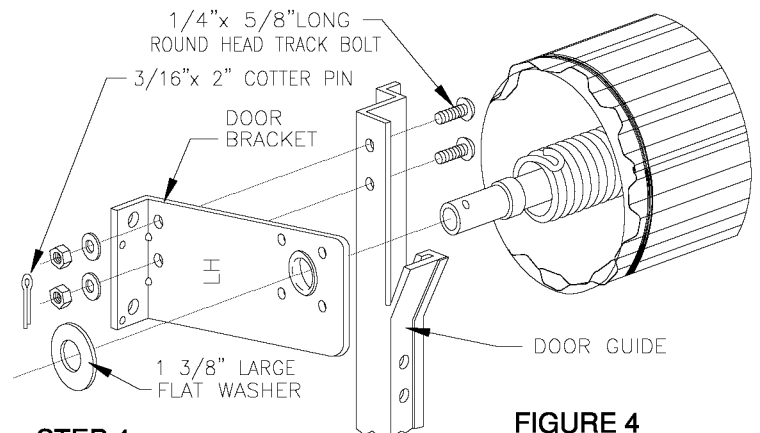


FIGURE 4

STEP 4

BOLT BRACKETS TO GUIDE, APPLY LUBRICATE TO SURFACE OF AXLE ENDS. SLIP BRACKETS ONTO AXLE ENDS, INSTALL WASHER, INSERT AND BEND COTTER PIN (FIGURE 4). NOTE: DOORS OVER 8'-4" HIGH HAVE AN EXTENDED DOOR BRACKET WITH A 10" ANGLE ATTACHED.



MODEL 501 DOOR INSTALLATION INSTRUCTIONS

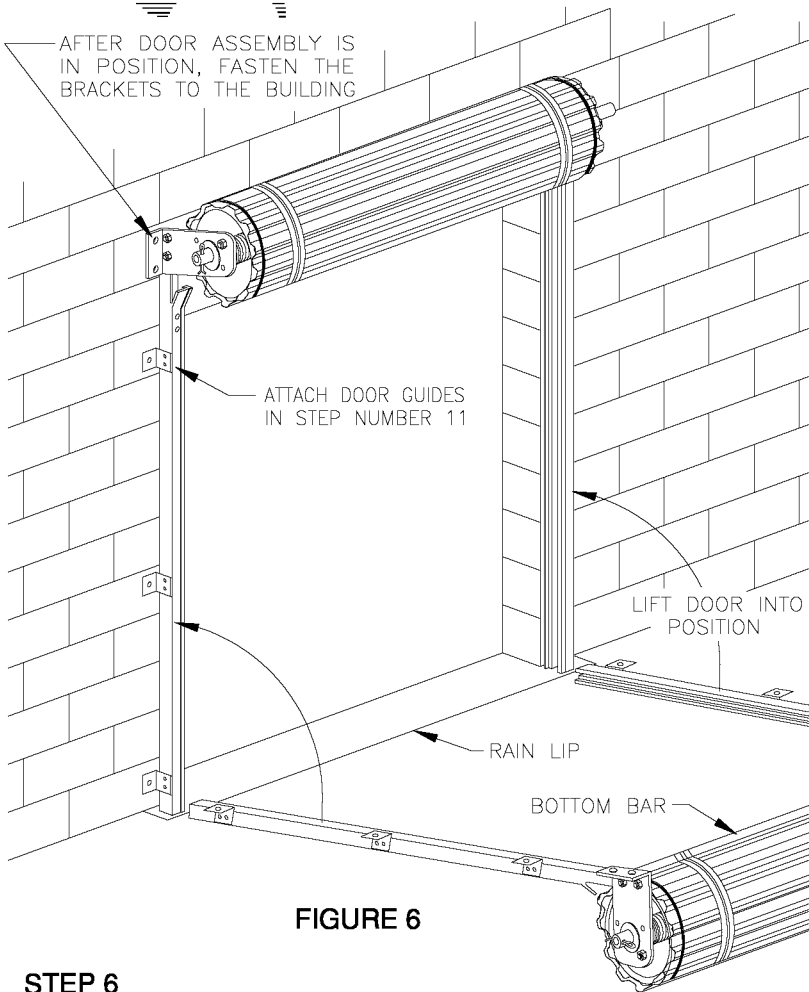


FIGURE 6

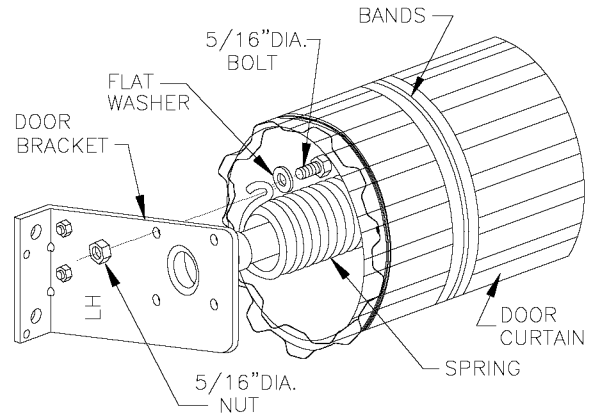


FIGURE 5

STEP 5

PRIOR TO INSTALLING SPRING BOLT, ROTATE BOTTOM BAR INTO POSITION SHOWN IN FIGURE 7B OR 7C. MAKE SURE THAT SPRING IS IN THE NEUTRAL POSITION. FASTEN END OF SPRING TO BRACKET WITH 5/16" DIAMETER BOLT WITH WASHER AS SHOWN IN FIGURE 5 (BOLT THROUGH THE NEAREST ONE OF 4 HOLES IN BRACKET).

STEP 6

PLACE BOTTOM OF GUIDES AGAINST THE WALL AT DOOR JAMB (DOOR CENTERED IN OPENING), LIFT BOTH ENDS OF DOOR EVENLY AND WALK INTO POSITION AT DOOR HEADER. WHILE ONE INSTALLER HOLDS DOOR IN PLACE, THE SECOND INSTALLER SHOULD VERIFY THAT DOOR IS CENTERED IN OPENING AND CHECK PLUMB OF GUIDES. IF DOOR IS NOT CENTERED IN OPENING, DOOR CAN BE EASILY MOVED LEFT OR RIGHT. ALLOW 3/8" CLEARANCE FROM CURTAIN ROLL END AND INSIDE OF VERTICAL GUIDE RAILS. BOLT HEAD BRACKET AND GUIDE TO BUILDING AT DOOR BRACKET ONLY. DOOR BRACKETS SHOULD NOW SUPPORT DOOR (SEE FIGURE 6 ABOVE). NOTE: EACH BRACKET REQUIRES (2) FASTENERS TO ATTACH IT TO JAMB.

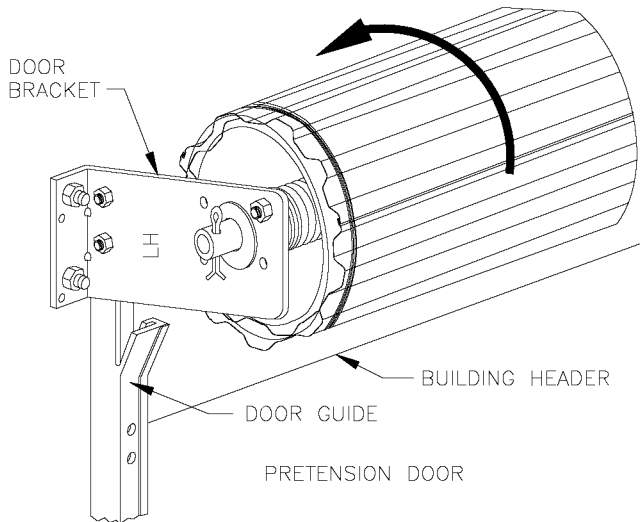
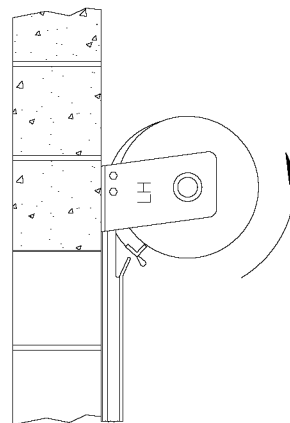
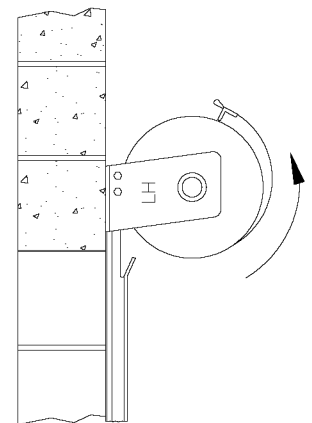


FIGURE 7A



DOORS UP TO 6'-11" HIGH REQUIRE APPROX. 3 TURNS

FIGURE 7B



DOORS 7'-0" HIGH AND OVER REQUIRE APPROX. 3 1/2 TURNS

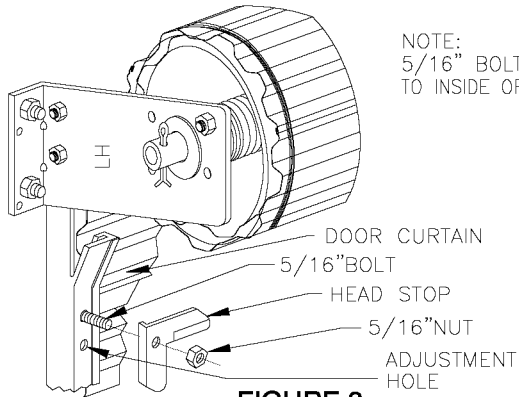
FIGURE 7C

STEP 7

ROTATE DOOR ROLL ASSEMBLY AS SHOWN IN FIGURE 7A ABOVE. AFTER ROTATING DOOR, HOLD THE DOOR OR IT WILL COUNTER ROTATE (SEE FIGURES 7B AND 7C ABOVE FOR NUMBER OF PRETENSION TURNS REQUIRED). CUT BANDS HOLDING DOOR IN CYLINDER AND PULL DOOR INTO GUIDES ALL THE WAY DOWN, HOLD DOOR IN GUIDES.



MODEL 501 DOOR INSTALLATION INSTRUCTIONS



NOTE:
5/16" BOLT HEAD
TO INSIDE OF GUIDE

FIGURE 8

STEP 8
WITH CURTAIN STILL IN GUIDES, INSTALL HEAD STOPS WITH ONE 5/16" BOLT AND ONE 5/16" NUT FOR EACH STOP AND TIGHTEN.

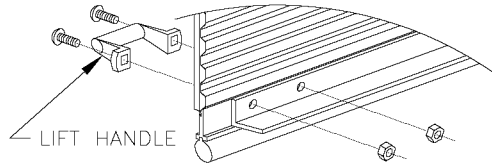


FIGURE 9

STEP 9
INSTALL LIFT HANDLES WITH TWO 1/4" BOLTS AND NUTS ON OUTSIDE OF DOOR AT CENTER AND L.H. SIDE OF DOOR. IF DOOR HAS MINI LOCK, LIFT HANDLE SHOULD BE LOCATED ON BOTTOM BAR DIRECTLY BELOW LOCK ASSEMBLY, SEE STEP 10 IF SLIDE BOLTS ARE PROVIDED.

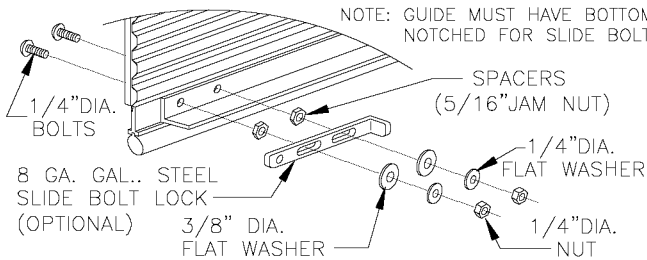


FIGURE 10

STEP 10
INSTALL SLIDE BOLTS (IF SUPPLIED) WITH BOLTS AND HARDWARE ON INSIDE OF DOOR AS SHOWN IN FIGURE 10 ABOVE.

STEP 11
BOLT GUIDE RAILS TO BUILDING. KEEP 3/8" CLEARANCE FROM CURTAIN ROLL TO INSIDE OF VERTICAL DOOR GUIDE.

FASTENERS REQUIRED PER DOOR GUIDE		
DOOR HGT.	MASONRY JAMB	STEEL JAMB
UP TO 8'-0"	3	4
OVER 8'-0"	4	5

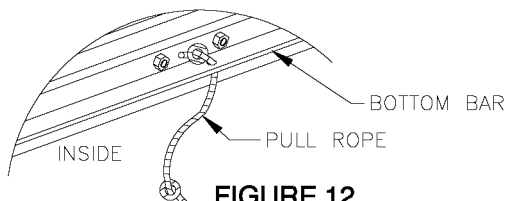


FIGURE 12

STEP 12
DROP PULL ROPE THROUGH HOLE IN CENTER OF BOTTOM BAR AND KNOT BOTH ENDS OF ROPE (SEE FIGURE 12 ABOVE).

STEP 13

CHECK AND ADJUST BALANCE, IF DOOR LOWERS EASY AND RAISES HARD, MORE SPRING TENSION IS REQUIRED. IF DOOR LOWERS HARD AND RAISES EASY, LESS SPRING TENSION IS REQUIRED. PROCEED TO STEP 14 IF DOOR IS NOT BALANCED.

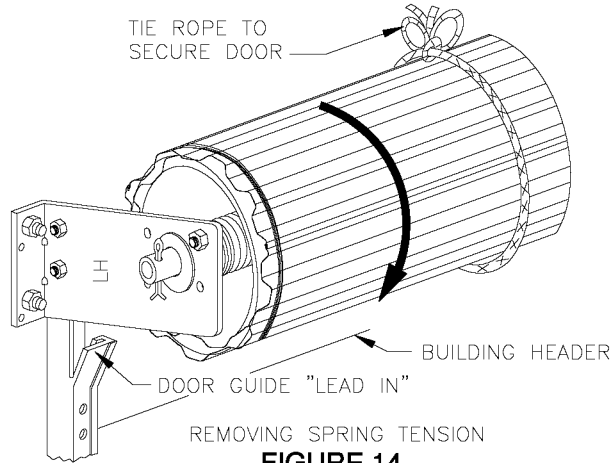


FIGURE 14

STEP 14

RAISE DOOR TO FULL OPEN POSITION. REMOVE HEAD STOPS WHILE HOLDING DOOR IN PLACE. SECURE DOOR IN FULL TOP POSITION. DO NOT LET GO OF DOOR. TIE ROPE TIGHTLY AROUND CURTAIN ROLL AS SHOWN IN FIGURE 14 ABOVE.

CAUTION
AFTER ROPE IS SECURED AROUND DOOR ROLL : ALLOW DOOR TO REVOLVE SLOWLY UNTIL SPRING IS IN NEUTRAL POSITION

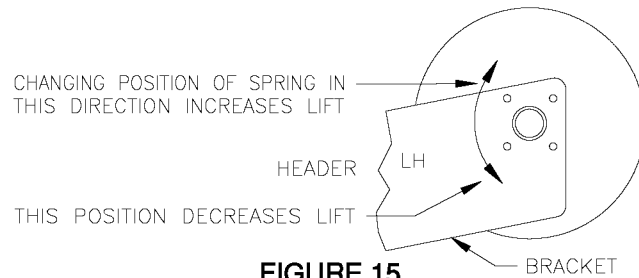


FIGURE 15

DO NOT REMOVE THE 5/16" BOLT FROM BRACKET, WHICH SECURES SPRING TO BRACKET, UNTIL SPRING IS IN NEUTRAL (NO TENSION) POSITION.

STEP 15

TO CHANGE THE SPRING POSITION, PLEASE SEE FIGURE 15 ABOVE.

STEP 16

REPEAT STEPS 7 AND 8, THEN CHECK DOOR FOR PROPER BALANCE.

STEP 17 IF DOOR DRAGS IN GUIDES: (A) CHECK DOOR MOUNTING BRACKETS FOR PLUMB. (B) ADJUST LOCATION OF GUIDES FOR 3/8" CLEARANCE FROM CURTAIN ROLL END TO INSIDE OF VERTICAL GUIDE RAIL, TOP AND BOTTOM. (C) CHECK GUIDES FOR FOREIGN MATTER, SUCH AS DIRT, ETC. (D) CHECK FOR DAMAGED GUIDES. (E) ADJUST LEAD-IN BEND AT TOP INSIDE OF GUIDES ("LEAD IN" SHOWN IN FIG. 14).

STEP 18 IF DOOR DOES NOT CONTACT FLOOR LEVEL: (A) USE SPRIT LEVEL TO CHECK WHETHER DOOR OR FLOOR IS OUT OF LEVEL. (B) CONFIRM DOOR SUPPORT BRACKETS AND GUIDES ARE LEVEL. (C) ROLL DOOR ALL THE WAY UP AND CHECK IF CURTAIN ROLLS STRAIGHT ON DRUMS, END OF DOOR SHOULD BE SQUARE.

STEP 19

SECURE ALL FASTENERS AND CHECK FOR PROPER LOCK OPERATION.

RECOMMENDED SERVICE

1. LUBRICATE THE INSIDE OF DOOR TRACKS AS REQUIRED.
2. CHECK ALIGNMENT OF HEAD STOPS AND TIGHTEN ATTACHING NUTS AND BOLTS.
3. LUBRICATE AXLE TUBE AT HEAD BRACKET ASSEMBLY AS REQUIRED.
4. CHECK AND TIGHTEN ALL NUTS, BOLTS AND SCREWS ANNUALLY, THIS MAY BE REQUIRED MORE FREQUENTLY FOR HIGH CYCLING DOORS.
5. USDOOR RECOMMENDS: SERVICING ANY PART OF COUNTERBALANCE SYSTEM INCLUDING SPRINGS, DRUMS, AND AXLE BE PERFORMED BY QUALIFIED DOOR SERVICE PERSONNEL ONLY.

IMPORTANT SAFETY NOTICE

1. OPERATE DOOR ONLY WHEN PROPERLY ADJUSTED AND FREE OF OBSTRUCTIONS.
2. DO NOT PERMIT CHILDREN TO OPERATE OR PLAY WITH ROLL UP DOOR.
3. SHOULD DOOR BECOME HARD TO OPERATE, CONTACT A QUALIFIED DOOR AGENCY.