

DOUBLE TRACK LOW HEADROOM TORSION SPRING INSTRUCTIONS FRONT MOUNTING

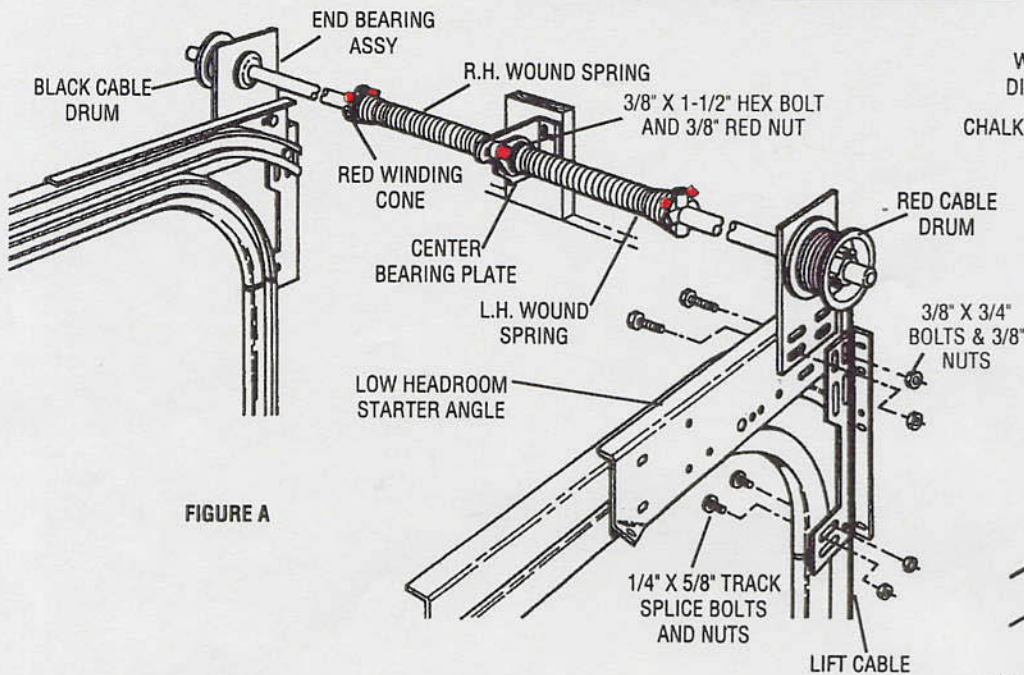


FIGURE A

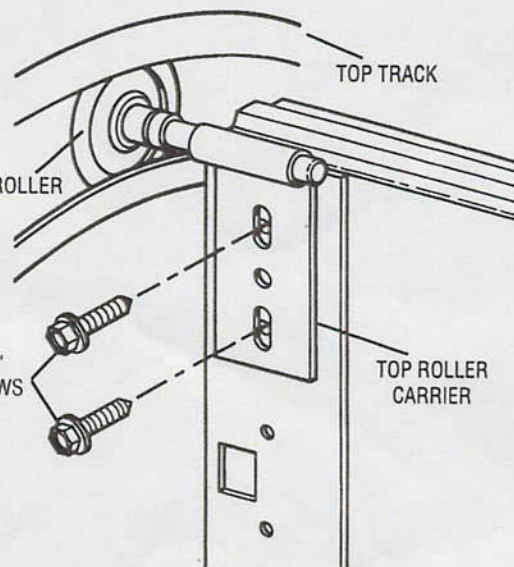
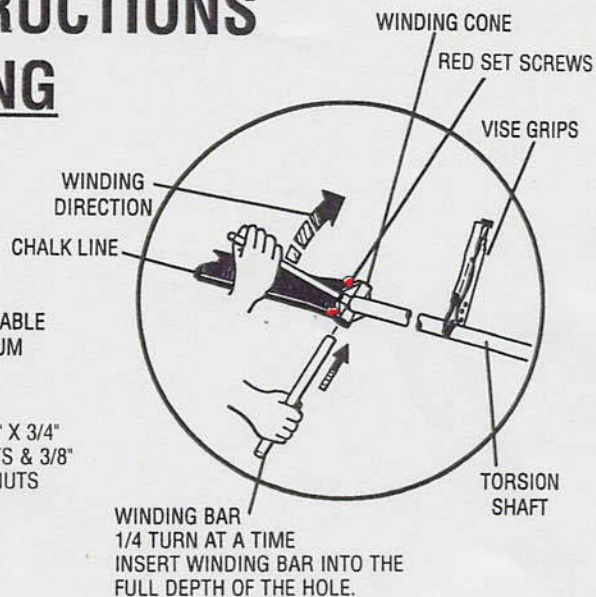


FIGURE B

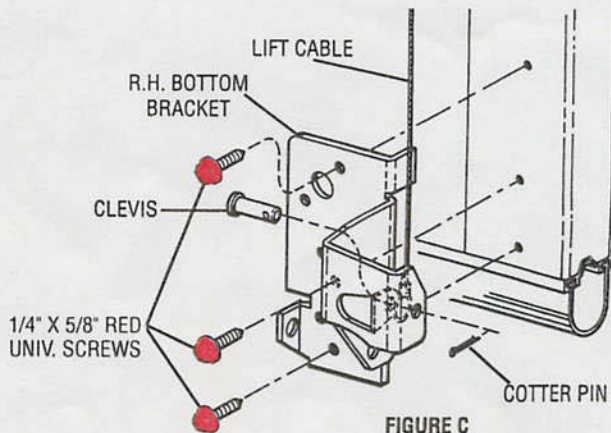


FIGURE C

Low headroom installation requires special bottom brackets (Fig. C.) and top roller carrier (Fig. B) installed to the door sections.

Mount end bearing plate on low headroom starter angle.

Assemble torsion springs and center bearing plate and bearing on shaft as shown. Fasten stationary cone of spring(s) to center bearing plate with 3/8" x 1-1/2" machine bolts and 3/8" red nuts. (If only one spring is furnished, follow color code of spring you have.)

Mount torsion spring assembly by fastening center bearing plate to center pad. Make sure shaft is level before fastening. Shaft must extend through bearing brackets approximately the same distance on each side.

Place cable drums on ends of shaft (outside bearing brackets) against the bearing race sleeve with the set screws to outside. Black drum on left. Red on right. Secure the cable to the special bottom bracket with a clevis and cotter pin.

Bring the cable between the wall and rollers and over the top of the drum slot. Rotate drum and shaft until cable is tight. Make sure the slot is facing installer and tighten the set screws on the drum.

To keep the shaft from counter rotating use a vise grip plier braced against the header. Install the cable on the black drum in the same manner, winding the drum to make the cable tight before tightening the set screws. Wind the spring in the direction indicated. Follow steps 8 and 9 of torsion spring installation instructions.

Install the top roller in the top carrier and insert roller in upper track of dual track as shown in Fig. B.

Make final adjustments per steps 19 to 23 of the installation instructions.

DANGER
Do not attempt to remove, repair, or adjust torsion or extension spring assemblies, red-coated fasteners, or the hardware to which the red-coated fasteners are attached.

WARNING
Failure to comply with these instructions invalidates the warranty.



P.O. Box 288 • Winston-Salem, NC 27102-0288